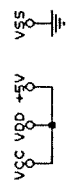
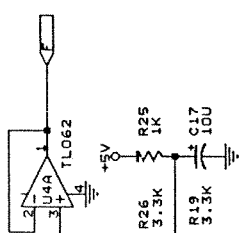
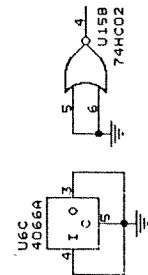
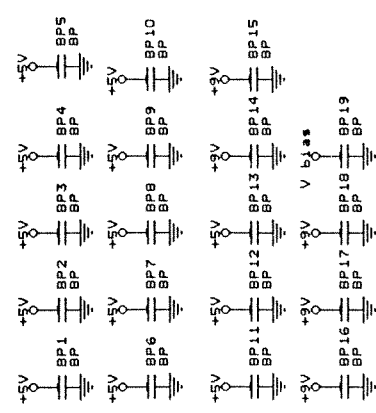
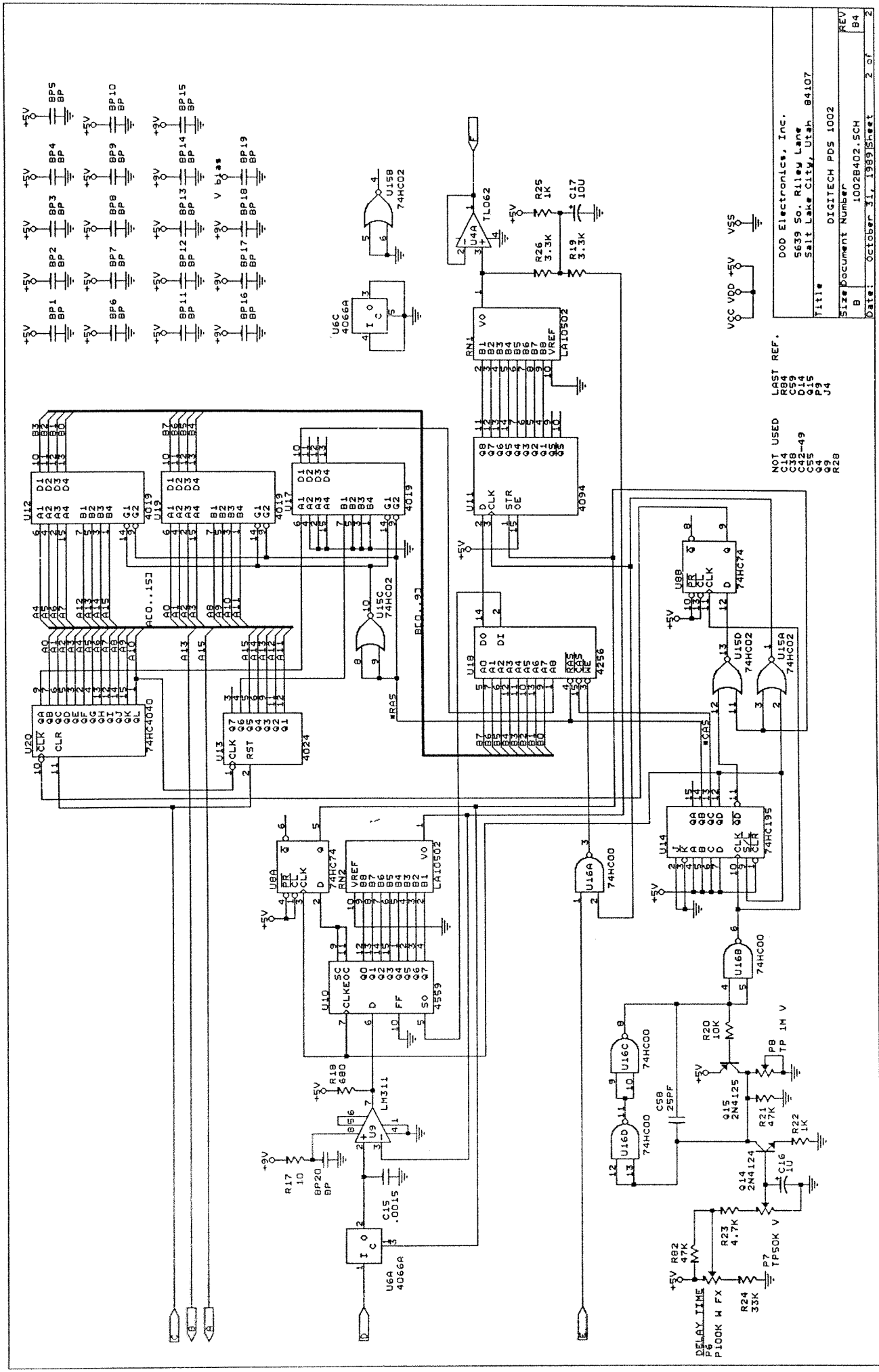


DOD Electronics, Inc.
 5639 So. Riley Lane
 Salt Lake City, Utah 84107
 Title DIGITECH PDS 1002
 Size Document Number 1002B401.SCH
 B
 Date: October 31, 1989 Sheet 1 of 2

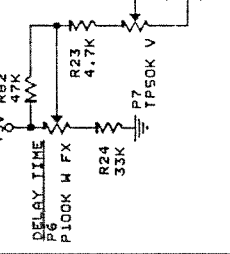


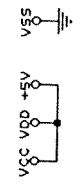
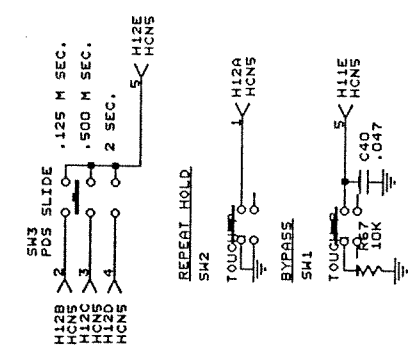
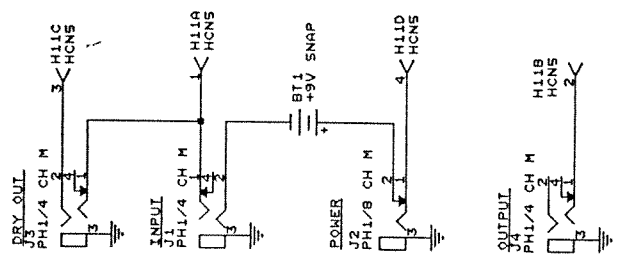
NOT USED
 C14
 R84
 C59
 D14
 C42-49
 Q3
 J4
 R28

LAST REF.
 R84
 C59
 D14
 C42-49
 Q3
 J4
 R28

DOD Electronics, Inc.
 5639 So. Riley Lane
 Salt Lake City, Utah 84107

Title: DIGITECH PDS 1002
 Size: Document Number: B
 Date: October 31, 1989 Sheet 2 of 2





DOD Electronics, Inc. 5639 So. Riley Lane Salt Lake City, Utah 84107	
Title	DICITECH POS 1002
Size	1002CH01.SCH
REV	B4
Date:	October 31, 1989 Sheet 1 of 1